

CPC/CPR

For wall or floor mounting

- **Compact design**
- **High finish**
- **Easy to instal**
- **Maintenance free**
- **Low noise level**



CPC/CPR has been developed to provide a very compact panel with a high finish. It is suitable for installations with high demands such as offices, restaurants, cinemas, public areas.

The panel consist of a welded casing with no rivets or screws. The internal nozzle plate and perforated front is screwed to the frame and can be easily dismantled when installing the terminal .

On request the unit can be supplied with a front that is held to the casing by means of magnets.

Specials

Stainless steel

Alternative sizes

Reinforced front

Other RAL colours

Accessories

Duct cover plate

Base.

Technical Data

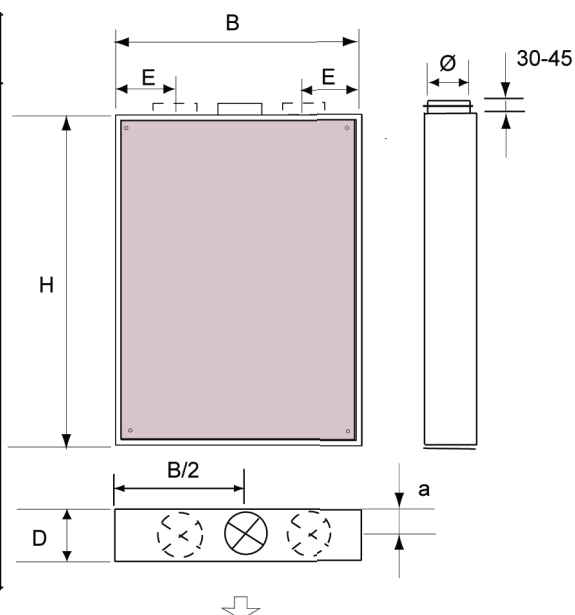
Front thickness 1.0mm

Standard finish is white (RAL 9010)

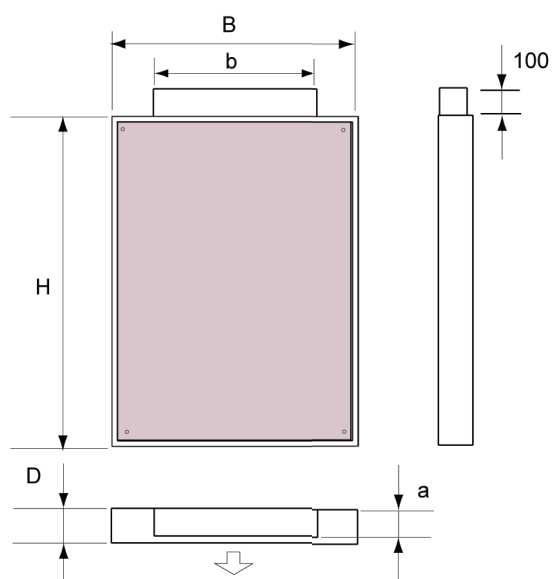
Pressure drops, sound data and adjacent zone are given in the diagrams. Sound levels are given as sound power level dB(A)

Dimensions and weights

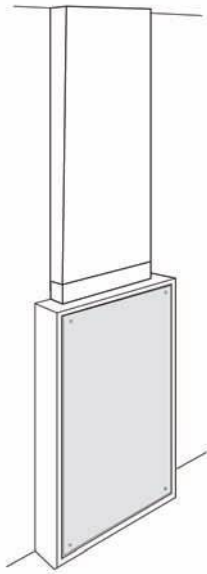
Size	H	B	D	E	Ø	kg
CPC 03-06	300	600	160	-	125	7
CPC 05-06	500	600	200	-	160	11
CPC 07-06	700	600	250	-	200	15
CPC 10-06	1000	600	300	-	250	22
CPC12-09	1200	900	250	225	2x250	37
CPC 12-12	1200	1200	300	300	2x250	50
CPC 15-09	1500	900	300	225	2x250	48
CPC 15-12	1500	1200	350	300	2x315	60
CPC 20-12	2000	1200	350	300	2x315	80



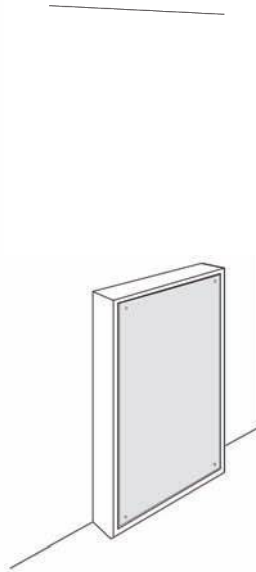
Size	H	B	D	a	b	kg
CPR 03-06	300	600	74	300	45	6
CPR 05-06	500	600	74	400	45	9
CPR 07-06	700	600	115	400	90	13
CPR 10-06	1000	600	115	400	90	18
CPR12-09	1200	900	125	600	100	31
CPR 12-12	1200	1200	125	600	100	41
CPR 15-09	1500	900	150	600	125	39
CPR 15-12	1500	1200	150	900	125	51
CPR 20-12	2000	1200	200	900	160	67



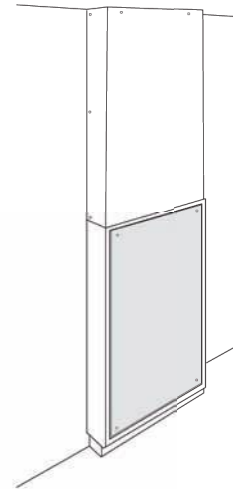
Installation



Connection from above



Connection from below



Connection from above
including duct cover
and base

Assembly

